

LI-VLS-2214

Features

- Certified 304 Grade Stainless Steel.
- Unique Undercounter Vanity.
- Single Compartment.
- Dual-Mount Assembly Under-Mount or Drop-In.
- Unique sound-deadening system with sound pads and a special coating.
- Lustrous and enduring finish which compliments any decor.
- Limited lifetime warranty.

Unique Undercounter Vanity



| --- Dimensions --- | |
|--------------------|---------------|
| Outer | 20-3/4" x 14" |
| Inner. | 18-3/4" x 12" |
| Depth | 6-1/4" |

| Model | Description | Colors / Finishes |
|-------------|---------------|---------------------|
| LI-VLS-2214 | Unique Vanity | Brushed Nickel Deck |

Included Components

- Pop-Up Drain w/Standard Overflow
- Cutout template
- Mounting Hardware

Colors / Finishes

- N/A None Applicable

Optional Accessories

- N/A (All accessories included)

Codes / Standards Applicable

Specified model meets or exceeds the following:

- Warnock Hersey Certified



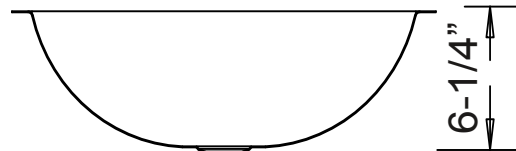
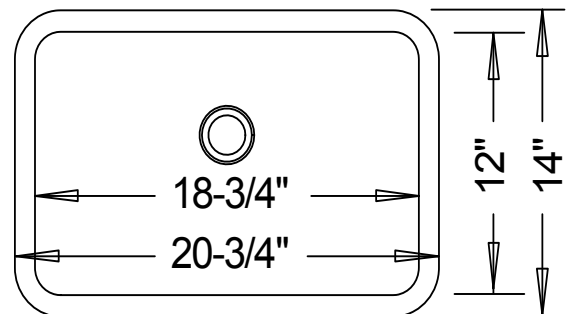
Product Specification

This unique undercounter vanity sink shall be a single compartment with a bowl featuring zero-radius inside corners. Sink shall be 20-3/4" in length and 14" in width, with a bowl depth of 7". Sink shall be made of certified 304 grade 18 gauge stainless steel. Sink shall include pop-up drain with standard overflow, and installation cutout template. Sink shall be C-Tech Model LI-VLS-2214.

TECHNICAL INFORMATION

| Fixture* | |
|---------------------|---------------|
| Basin Area Diameter | 18-3/4" x 12" |
| Water Depth | 6-1/4" |
| Drain Hole | 1-5/8" dia. |

*Approximate measurements for comparison only.

**Product Image****Front View****Top View****Product Diagram**