



CH-61x0 - "Rim"

Vessel Vanity

Features

- Genuine Vitreous China
- Drop-In
- Single Compartment
- Round Bowl



Dimensions

Outer: 18-3/8" diameter x 6-3/4"
 Inner: 15" diameter x 4-5/8"

Model - "Rim"	Description	Colors / Finishes
CH-6110	Vessel Vanity Sink	White
CH-6120	Vessel Vanity Sink	Bisque
CH-6130	Vessel Vanity Sink	Black

Included Components

- Cut-out template

Available Colors



Optional Accessories

- Pop-Up Drain
- Mounting Clips

Codes / Standards Applicable

Specified model meets or exceeds the following:



Product Specification

The vessel vanity sink shall be 18-3/8" in diameter, with an overall depth of 6-3/4" and a bowl depth of 4-5/8". Sink shall be a single compartment with round bowl, composed of Vitrious China. Sink shall be Chinashell Models CH-6110, CH-6120 and CH-6130, "Rim".

CH-61x0 - "Rim"

TECHNICAL INFORMATION

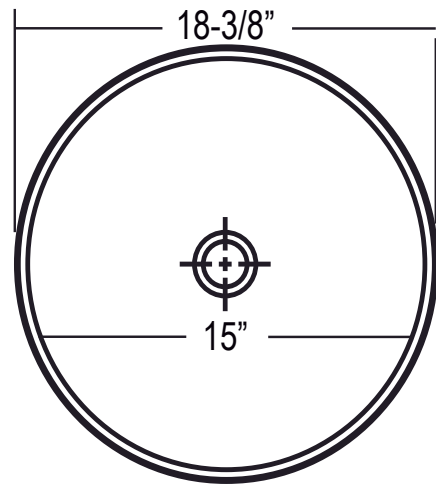
Fixture*	
Basin Area	15" diameter
Water Depth	4-5/8"
Drain Hole	1-7/8" D

*Approximate measurements for comparison only.

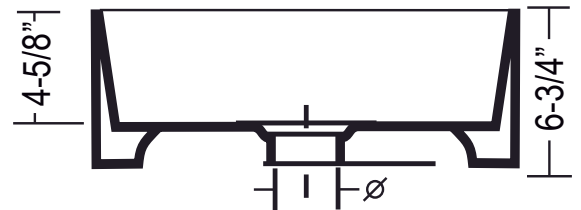


Product Image

Top View



Side View



Product Diagram