

**TU-0805 - "Clifton"**

**Undercounter Kitchen**

**Features**

- Certified 304 Grade 16 Gauge Stainless Steel.
- Undercounter
- Single Compartment
- Rounded Bowl
- Unique sound-deadening system with sound pads and a special coating.
- Lustrous and enduring finish which compliments any decor.
- Limited lifetime warranty.



--- Dimensions ---

Outer

14-3/4" x 18-1/4" x 8"

Inner

13" x 16-1/2" x 8"

Model	Description	Colors / Finishes
TU-0805 "Clifton"	Undercounter Sink	N/A

**Included Components**

- Mounting Clips
- Cut-out template

**Colors / Finishes**

- N/A None Applicable

**Optional Accessories**

- Standard Strainer
- Premium Strainer
- Sink Grid

**Codes / Standards Applicable**

Specified model meets or exceeds the following:

- Warnock Hersey Certified



**Product Specification**

This undercounter sink shall be a single compartment with rounded bowl. It shall be 14-3/4" in length and 18-1/4" in width, with a bowl depth of 8". Sink shall be made of 16 gauge stainless steel. Sink shall include installation hardware.

Sink shall be Tritan Model TU-0805, "Clifton".

# TU-805 - "Clifton"

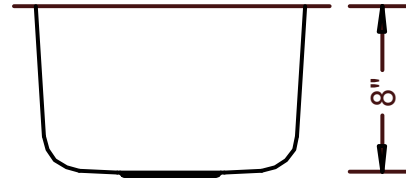
## TECHNICAL INFORMATION

Fixture*	
Basin Area	13" x 16-1/2"
Water Depth	8"
Drain Hole	3-5/8" D
*Approximate measurements for comparison only.	

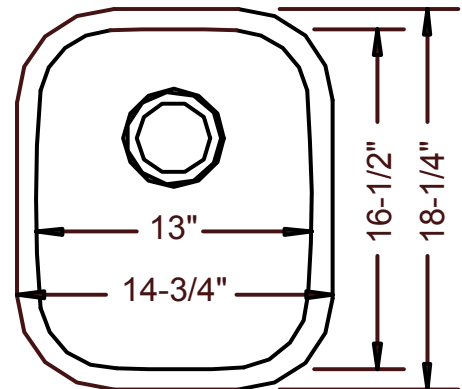


Product Image

Side View



Top View



Product Diagram