



Specification Sheet

PAUD16 - "Virginian"

Features

- Certified 304 Grade 18 Gauge Stainless Steel
- Undercounter
- 60/40 Style
- Dual Compartments
- Rounded Bowls
- Unique sound-deadening system with sound pads and a special coating.
- Lustrous and enduring finish which compliments any decor.
- Limited lifetime warranty.

Undercounter Kitchen



--- Dimensions ---

Outer

31-1/4" x 20-1/2"

Left Bowl

13-1/2" x 18" x 10"

Right Bowl

14" x 15-3/4" x 8"

| Model | Description | Colors / Finishes |
|--------------------|-------------------|-------------------|
| PAUD16 "Virginian" | Undercounter Sink | N/A |

Included Components

- Mounting Clips
- Cut-out template

Colors / Finishes

- N/A None Applicable

Optional Accessories

- Standard Strainer
- Premium Strainer

Codes / Standards Applicable

Specified model meets or exceeds the following:

- UPC Certified
- CSA Certified



Product Specification

This undercounter sink shall be a dual compartment with rounded bowls, in a 60/40 style. It shall be 31-1/4" in length and 20-1/2" in width, with the left bowl having an overall depth of 10" and the right bowl having an overall depth of 8". Sink shall be made of 18 gauge stainless steel. Sink shall include installation hardware. Sink shall be Patriot Model PAUD16, "Virginian".

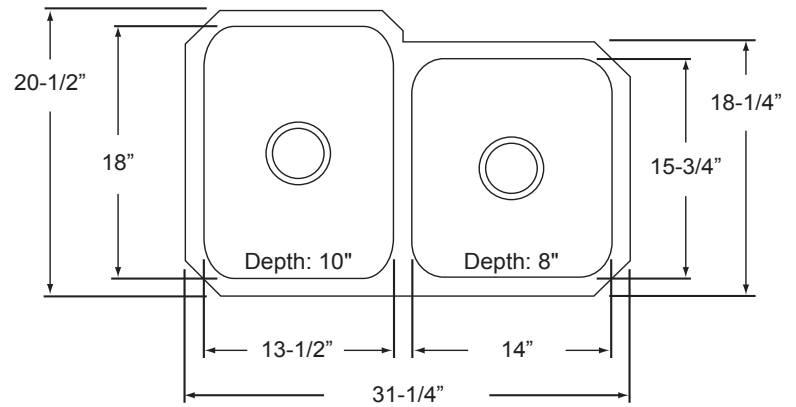
PAUD16 - "Virginian"

TECHNICAL INFORMATION

| Fixture* | |
|--|---------------|
| Basin Area (Left Bowl) | 13-1/2" x 18" |
| Basin Area (Right Bowl) | 14" x 15-3/4" |
| Water Depth (Left Bowl) | 10" |
| Water Depth (Right Bowl) | 8" |
| Drain Hole (Each Bowl) | 3-5/8" D |
| *Approximate measurements for comparison only. | |



Product Image



Product Diagram