



## Specification Sheet

# PAUD15 - "Floridian"

### Features

- Certified 304 Grade 18 Gauge Stainless Steel
- Undercounter
- 50/50 Style
- Dual Compartments
- Rounded Bowls
- Unique sound-deadening system with sound pads and a special coating.
- Lustrous and enduring finish which compliments any decor.
- Limited lifetime warranty.

### Undercounter Kitchen



--- Dimensions ---

Outer

31-1/4" x 18-1/4"

Left Bowl

14" x 15-3/4" x 10"

Right Bowl

14" x 15-3/4" x 10"

Model	Description	Colors / Finishes
PAUD15 "Floridian"	Undercounter Sink	N/A

### Included Components

- Mounting Clips
- Cut-out template

### Colors / Finishes

- N/A None Applicable

### Optional Accessories

- Standard Strainer
- Premium Strainer

### Codes / Standards Applicable

Specified model meets or exceeds the following:

- UPC Certified
- CSA Certified



### Product Specification

This undercounter sink shall be a dual compartment with rounded bowls, in a 50/50 style. It shall be 31-1/4" in length and 18-1/4" in width, with each bowl having an overall depth of 10". Sink shall be made of 18 gauge stainless steel. Sink shall include installation hardware. Sink shall be Patriot Model PAUD15, "Floridian".

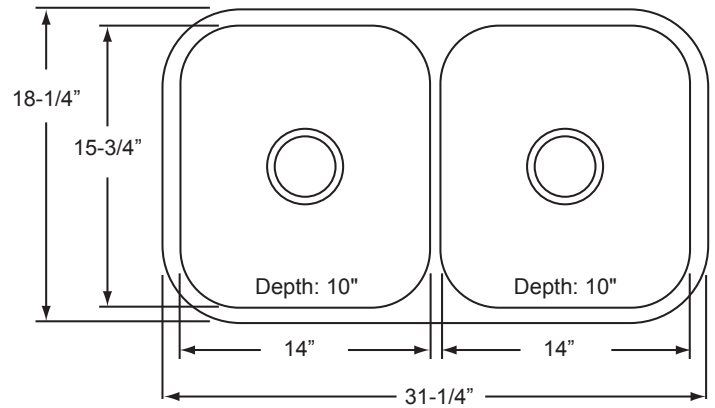
# PAUD15 - "Floridian"

## TECHNICAL INFORMATION

Fixture*	
Basin Area (Left Bowl)	14" x 15-3/4"
Basin Area (Right Bowl)	14" x 15-3/4"
Water Depth (Left Bowl)	10"
Water Depth (Right Bowl)	10"
Drain Hole (Each Bowl)	3-5/8" D
*Approximate measurements for comparison only.	



Product Image



Product Diagram