

EFS3021 - "Lufkin"

Features

- Certified 304 Grade 15 Gauge Stainless Steel.
- Handmade Farmhouse Apron Design.
- Single Compartment.
- Rectangular Bowl with square corners.
- Unique sound-deadening system with sound pads and a special coating.
- Lustrous and enduring finish which compliments any decor.
- Limited lifetime warranty.

Farmhouse Apron Kitchen



--- Dimensions ---

Outer

29-3/4" x 20-3/4" x 10"

Inner

27" x 16" x 10"

Model	Description	Colors / Finishes
EFS3021 "Lufkin"	Handmade Farmhouse Apron Sink	N/A

Included Components

- Mounting Clips
- Cut-out template

Colors / Finishes

- N/A None Applicable

Optional Accessories

- Standard Strainer
- Premium Strainer
- Sink Grid

Codes / Standards Applicable

Specified model meets or exceeds the following:

- UPC Certified



Product Specification

This handmade farmhouse apron sink shall be a single compartment with rectangular bowl, featuring square inside corners. Sink shall be 29-3/4" in length and 20-3/4" in width, with a bowl depth of 10". Sink shall be made of 15 gauge stainless steel. Sink shall include installation hardware. Sink shall be Homeplace Model EFS3021, "Lufkin".

EFS3021 - "Lufkin"

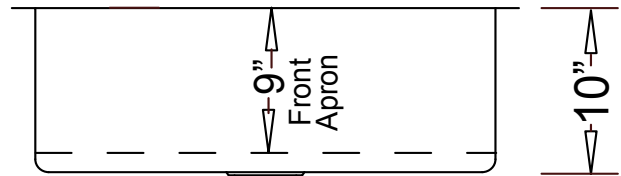
TECHNICAL INFORMATION

Fixture*	
Basin Area	27" x 16"
Water Depth	10"
Drain Hole	3-5/8" D
*Approximate measurements for comparison only.	

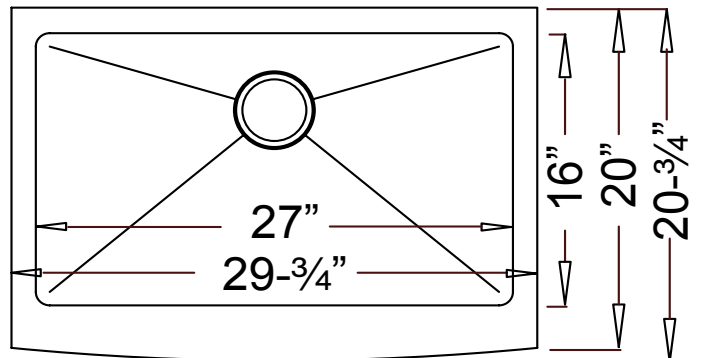


Product Image

Front View



Top View



Product Diagram