

### EFD3320 - "Tyler"

#### Features

- Certified 304 Grade 15 Gauge Stainless Steel.
- Handmade Farmhouse Apron Design.
- Dual Compartments.
- Rectangular Bowls with square corners.
- Unique sound-deadening system with sound pads and a special coating.
- Lustrous and enduring finish which compliments any decor.
- Limited lifetime warranty.

#### Farmhouse Apron Kitchen



--- Dimensions ---

Outer

32-7/8" x 20-3/4" x 10"

Left Bowl

17-3/8" x 16" x 10"

Right Bowl

11-3/4" x 16" x 10"

Model	Description	Colors / Finishes
EFD3320 "Tyler"	Handmade Farmhouse Apron Sink	N/A

#### Included Components

- Mounting Clips
- Cut-out template

#### Colors / Finishes

- N/A None Applicable

#### Optional Accessories

- Standard Strainer
- Premium Strainer
- Sink Grid

#### Codes / Standards Applicable

Specified model meets or exceeds the following:

- UPC Certified



#### Product Specification

This handmade farmhouse apron sink shall be a dual compartment with rectangular bowls, featuring square inside corners. Sink shall be 32-7/8" in length and 20-3/4" in width, with each bowl having a depth of 10". Sink shall be made of 15 gauge stainless steel. Sink shall include installation hardware. Sink shall be Homeplace Model EFD3320, "Tyler".

# EFD3320 - "Tyler"

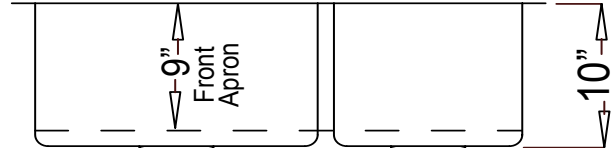
## TECHNICAL INFORMATION

Fixture*	
Basin Area (Left Bowl)	17-3/8" x 16"
Basin Area (Right Bowl)	11-3/4" x 16"
Water Depth (Left Bowl)	10"
Water Depth (Right Bowl)	10"
Drain Hole (Each Bowl)	3-5/8" D
*Approximate measurements for comparison only.	

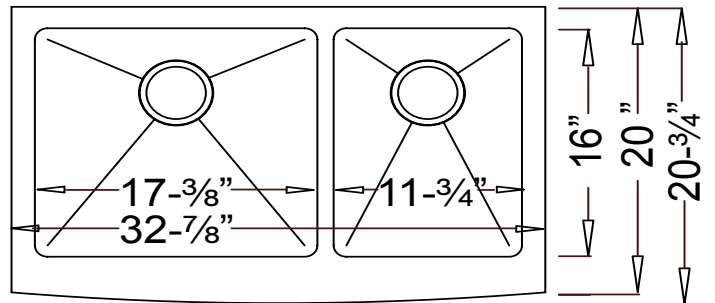


Product Image

Front View



Top View



Product Diagram